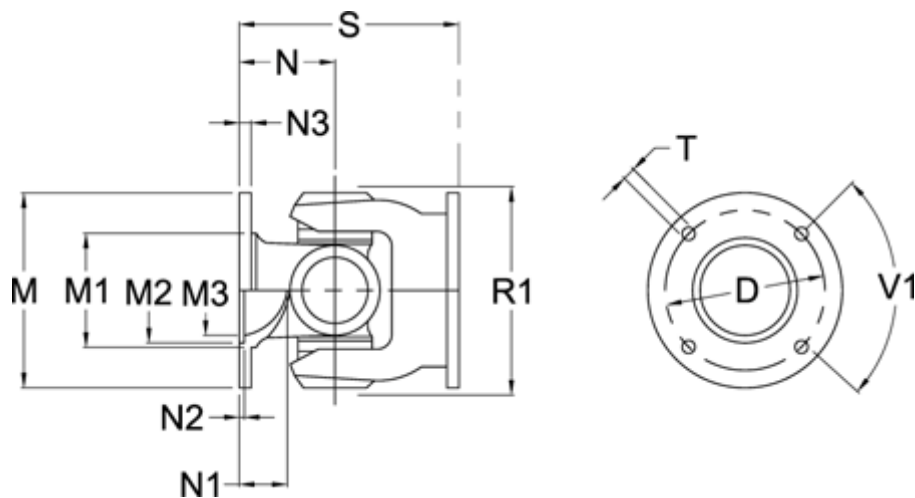


Article number: 07122401007

Description: Universal joint single 0.122.401.007
S=220 X= Bore with keyway

Measures



D	= 218 +0,1	N2	= 6 +0,5
Flange diameter M	= 250	N3	= 18
M1	= 176	Number of Flangeholes	= 8
M2	= 140	R1	= 204
M3	= 131	S min	= 220
Max. Bending Angle degrees	= 25	T	= 18 B12
N	= 110	V1 degrees	= 45
N1	= 36		